

2-Post Asymmetric



Shown with optional equipment.

Optional Frame Cradle Pad



Superior Carriage Construction

Take a close look at our lift carriages. You'll notice our 53" tall carriages are considerably taller than most which minimizes the stress placed on the load bearings and columns.



Single-Point Lock Release



Sprinter™ Capable

An optional bolt-on top extension raises the overhead bar another 24" providing clearance for high-ceiling vehicles. Optional arm configurations may also be required.



Oversize Cable Sheaves



Direct-Drive Cylinders



3" and 6" Stackable Adapters



Optional Screw Pads

Features

- 10,000 pound lifting capacity
- Wide or narrow configuration
- Exclusive "Tru-Metric" arm design provides more versatile arm positioning
- 30-degree rotated single piece columns
- Single-point safety release
- Dual hydraulic "Direct-Drive" cylinders
- Electric/hydraulic power system
- Large, 17" x 19" A36 steel base plate
- Self-lubricating dura-glide UHMW polyethylene bearing system
- Safety locks in each column spaced every 3-inches
- Automatic arm restraints
- Features heavy-duty 3/8" aircraft cable
- Oversized sheave diameter reduces cable fatigue
- Padded overhead safety-shutoff bar
- Eight piece truck and van adapter set standard
- Triple-telescoping/low-profile arms
- Versatile drop-in contact pads with stackable adapters

TWO-POST MODELS / HEAVY-DUTY / ASYMMETRIC

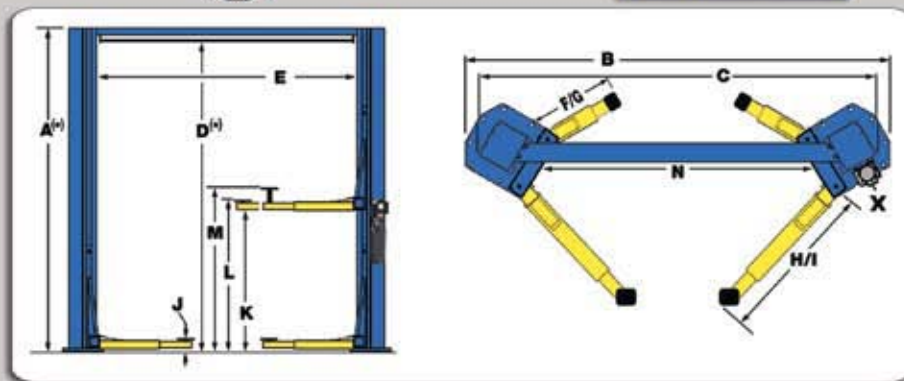
MODEL	XPR-10AC	XPR-10ACX
Lifting Capacity*	10,000 Lbs. / 4536 Kg.	10,000 Lbs. / 4536 Kg.
*Max Capacity / Front Axle	5,000 Lbs. / 2268 Kg.	5,000 Lbs. / 2268 Kg.
*Max Capacity / Rear Axle	5,000 Lbs. / 2268 Kg.	5,000 Lbs. / 2268 Kg.
A - Height Overall: (*)	145" / 3683 mm.	145" / 3683 mm.
B - Width Overall (Outside of Base Plate):	132" / 3353 mm.	145" / 3683 mm.
C - Width (Outside of Columns):	128" / 3251 mm.	135" / 3429 mm.
D - Floor To Overhead Switch: (*)	141" / 3581 mm.	141" / 3581 mm.
E - Inside Columns:	89" / 2515 mm.	112" / 2845 mm.
F - Reach (Front Arm Min.):	21" / 533 mm.	25" / 635 mm.
G - Reach (Front Arm Max.):	41" / 1041 mm.	46" / 1168 mm.
H - Reach (Rear Arm Min.):	42" / 1067 mm.	42" / 1067 mm.
I - Reach (Rear Arm Max.):	60" / 1524 mm.	60" / 1524 mm.
J - Min. Pad Height:	4" / 102 mm.	4" / 102 mm.
K - Rise:	69" / 1753 mm.	69" / 1753 mm.
L - Max Lift Height (Pad Only):	73" / 1854 mm.	73" / 1854 mm.
M - Max Lift Height (6" Adapter):	79" / 2007 mm.	79" / 2007 mm.
N - Drive-Thru Clearance:	89" / 2261 mm.	102" / 2591 mm.
Motor (**)	220 VAC / 60 Hz. 1Ph.	220 VAC / 60 Hz. 1Ph.
Time of full Rise:	45 Seconds	45 Seconds
Max Load Per Arm:	2,500 Lbs. / 1134 Kg.	2,500 Lbs. / 1134 Kg.

* An optional bolt-on top extension raises the overhead bar an additional 24". Must be ordered from factory at time of order.
 ** Special Voltages Available Upon Request.
 The design, material and specifications are subject to change without notice.



BendPak Inc. is a member of the Automotive Lift Institute

Dimensions



2-Post Clearfloor



Shown with optional equipment.

Optional Frame Cradle Pad



Superior Carriage Construction

Take a close look at our lift carriages. You'll notice our 53" tall carriages are considerably taller than most which minimizes the stress placed on the load bearings and columns.



Single-Point Lock Release



Shown with optional turf-lift attachments.



Sprinter™ Capable

An optional bolt-on top extension raises the overhead bar another 24" providing clearance for high-ceiling vehicles. Optional arm configurations may also be required.



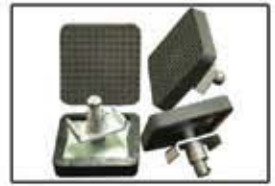
Oversize Cable Sheaves



Direct-Drive Cylinders



3" and 6" Stackable Adapters



Optional Screw Pads

Features

- 10,000-pound lifting capacity
- Wide or narrow configuration
- Single piece columns
- Single point safety release
- Dual hydraulic "Direct-Drive" cylinders
- Electric/hydraulic power system
- Large, 17" x 19" A36 steel base plate
- Self-lubricating dura-glide UHMW polyethylene bearing system
- Safety locks in each column spaced every 3-inches
- Automatic arm restraints
- Features heavy-duty 3/8" aircraft cable
- Oversized sheave diameter reduces cable fatigue
- Padded overhead safety-shutoff bar
- Eight piece truck and van adapter set standard
- Triple-telescoping/low-profile arms
- Versatile drop-in contact pads with stackable adapters

TWO-POST MODELS / HEAVY-DUTY / STANDARD SYMMETRIC

MODEL	XPR-10C	XPR-10CX
Lifting Capacity*	10,000 Lbs. / 4536 Kg.	10,000 Lbs. / 4536 Kg.
*Max Capacity / Front Axle	5,000 Lbs. / 2268 Kg.	5,000 Lbs. / 2268 Kg.
*Max Capacity / Rear Axle	5,000 Lbs. / 2268 Kg.	5,000 Lbs. / 2268 Kg.
A - Height Overall: (*)	145" / 3683 mm.	145" / 3683 mm.
B - Width Overall (Outside of Base Plate)	132" / 3353 mm.	145" / 3683 mm.
C - Width (Outside of Columns):	127" / 3226 mm.	140" / 3566 mm.
D - Floor To Overhead Switch: (*)	141" / 3581 mm.	141" / 3581 mm.
E - Inside Columns:	102" / 2791 mm.	115" / 2921 mm.
F - Reach (Front Arm Min.):	25" / 635 mm.	26" / 711 mm.
G - Reach (Front Arm Max.):	46" / 1168 mm.	55" / 1397 mm.
H - Reach (Rear Arm Min.):	34" / 864 mm.	34" / 864 mm.
I - Reach (Rear Arm Max.):	55" / 1397 mm.	55" / 1397 mm.
J - Min. Pad Height:	4" / 102 mm.	4" / 102 mm.
K - Rise:	69" / 1753 mm.	69" / 1753 mm.
L - Max Lift Height (Pad Only):	73" / 1854 mm.	73" / 1854 mm.
M - Max Lift Height (6" Adapter):	79" / 2007 mm.	79" / 2007 mm.
N - Drive-Thru Clearance:	95" / 2382 mm.	106" / 2692 mm.
Motor (**)	220 VAC / 60 Hz. 1Ph.	220 VAC / 60 Hz. 1Ph.
Time of full Rise:	45 Seconds	45 Seconds
Max Load Per Arm:	2,500 Lbs. / 1134 Kg.	2,500 Lbs. / 1134 Kg.

* An optional bolt-on top extension for columns raises the overhead bar an additional 24". Must be ordered from factory at time of order.

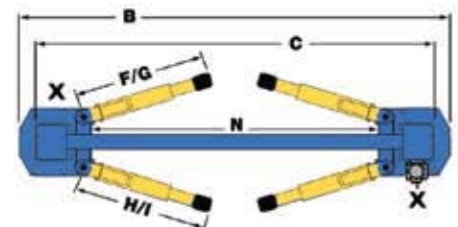
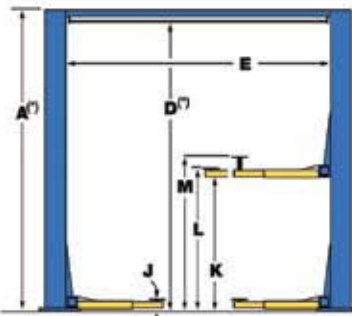
** Special Voltages Available Upon Request.

The design, material and specifications are subject to change without notice.



BendPak Inc. is a member of the Automotive Lift Institute

Dimensions



Note: Power unit can be located at either "X" location.



2-Post Super Duty



Shown with optional equipment.



Shown with optional equipment.

Optional Frame Cradle Pad



Optional Screw Adapters



Optional Frame Cradle Adapters



Superior Carriage Construction

Take a close look at our lift carriages. You'll notice our 53" tall carriages are considerably taller than most which minimizes the stress placed on the load bearings and columns.



Single-Point Lock Release



Heavy Baseplate



Direct-Drive Cylinders



3" and 6" Stackable Adapters



Optional Steel Lifting Pads

Features

- 12,000 - 18,000 lbs. lifting capacities
- Dual-Synchro equalization system for equal lifting
- "Dura-Glide" UHMW polyethylene load bearings
- Single-piece columns
- Dual "Direct-Drive" cylinders
- Single-point safety release
- Automatic arm restraints
- Eight piece truck and van adapter set standard
- Padded overhead safety shut-off bar
- Oversize column base plates
- Safety locks in each column spaced every 3-inches
- Heavy-duty 1/2" equalizer cables
- Convenient storage is included for truck and van adapters
- Triple-telescoping arms on XPR-12C
- Versatile drop-in contact pads with stackable adapters

TWO-POST MODELS / SUPER DUTY

MODEL	XPR-12C	XPR-15C	XPR-18C
Lifting Capacity*	12,000 Lbs. / 5443 Kg	15,000 Lbs. / 6804 Kg	18,000 Lbs. / 8165 Kg
*Max Capacity / Front Axle	6,000 lbs. / 2722 Kg	7,500 Lbs. / 3402 Kg	9,000 Lbs. / 4082 Kg
*Max Capacity / Rear Axle	6,000 lbs. / 2722 Kg	7,500 Lbs. / 3402 Kg	9,000 Lbs. / 4082 Kg
A - Height Overall: (*)	170" / 4318 mm.	170" / 4318 mm.	170" / 4318 mm.
B - Width Overall (Outside of Base Plates)	155" / 3937 mm.	155" / 3937 mm.	155" / 3937 mm.
C - Width (Outside of Columns)	144" / 3658 mm.	144" / 3658 mm.	144" / 3658 mm.
D - Floor To Overhead Switch: (*)	165" / 4191 mm.	165" / 4191 mm.	165" / 4191 mm.
E - Inside Columns	120" / 3048 mm.	120" / 3048 mm.	120" / 3048 mm.
F - Reach (Front Arm Min.):	32" / 813 mm.	36" / 911 mm.	36" / 911 mm.
G - Reach (Front Arm Max.):	60" / 1524 mm.	60" / 1524 mm.	60" / 1524 mm.
H - Reach (Rear Arm Min.):	32" / 813 mm.	36" / 911 mm.	36" / 911 mm.
I - Reach (Rear Arm Max.):	60" / 1524 mm.	60" / 1524 mm.	60" / 1524 mm.
J - Min. Pad Height:	5" / 127 mm.	5" / 127 mm.	5" / 127 mm.
K - Rise:	69" / 1753 mm.	69" / 1753 mm.	69" / 1753 mm.
L - Max Lift Height (Pad Only):	74" / 1880 mm.	74" / 1880 mm.	74" / 1880 mm.
M - Max Lift Height (6" Adapter):	80" / 2032 mm.	80" / 2032 mm.	80" / 2032 mm.
N - Drive-Thru Clearance:	106" / 2692 mm.	106" / 2692 mm.	106" / 2692 mm.
Motor (**)	220 VAC / 60 Hz. 1Ph.	220 VAC / 60 Hz. 1Ph.	220 VAC / 60 Hz. 1Ph.
Time of full Rise:	45 Seconds	45 Seconds	45 Seconds
Max Load Per Arm:	3,000 Lbs. / 1361 Kg	3,750 Lbs. / 1701 Kg	4,500 Lbs. / 2041 Kg

* An optional bolt-on top extension for columns raises the overhead bar an additional 24". Must be ordered from factory at time of order.
 ** Special Voltages Available Upon Request.
 The design, material and specifications are subject to change without notice.



BendPak Inc. is a member of the Automotive Lift Institute

Dimensions

